

transfluid
Die Lösung für Rohre.



transfluid® Maschinenbau GmbH / Hünegräben 20-22 / 57392 Schmallenberg

Email: sales@transfluid.de
Phone: +49 2972 9715-0

| Description | Quantity | Unit | Price | Total |
|-------------|----------|----------|-------|-------|
| DB 2076K | | Piece(s) | | |

Mandrel bending machine

Capacity:

- | | |
|-----------------------------------------------------------------------|-----------------------------|
| - Round tubing mild steel (S 355) | 76,1 x 3,0 mm Ø |
| - Round tubing stainless steel from | 76,1 x 2,0 mm Ø |
| - Square tubing mild steel (S 355) | 50 x 50 x 5,0 mm |
| - Rectangular tubing mild steel (S 355) | 60 x 40 x 3,0 mm |
| - Max. moment of resistance | 12,1 cm ³ (S235) |
| - Bending angle up to | 180° + 10° spring back |
| - Speed of bending axis | max. 10°/ Sec. |
| - Speed of front feed axis | manual |
| - Speef of rotation axis | manual |
| - Accuracy of the bending axis | - |
| - Accuracy of the length | manual |
| - Accuracy of the rotation | manual |
| - Arbor length/Usable length | 3048 mm |
| - Radii | max. 150 mm |
| - Bending height | 1050 mm |
| - Power bending axis | electro-hydraulic |
| - Automatic positioning of the rotation and length | manual |
| - All other axes (e.g. clamping, mandrel forwards/backwards, etc.) | electro-hydraulic |



Machine equipment-/basic accessories:

- Bending direction clockwise
- Hollow shaft for using tooling for small radii
- For radii starting from 1,5 x tube diameter
- With follwing pressure die, return via hydraulic cylinder
- Standard norm electric and hydraulic equipment
- Machine mobile, on wheels
- Colour RAL 7047 grey, RAL 3020 red

transfluid® Maschinenbau GmbH / Hünegräben 19-22 / 57392 Schmallenberg

Tel: +49 2972 9715-0 / Fax: +49 29 72 97 15-11 / info@transfluid.de / www.transfluid.de
Amtsgericht Arnsberg, HRB 2320 / USt-IdNr: DE125917329
Geschäftsführer: Ludger Bludau, Burkhard Tigges,
Stefanie Flaeper, Benedikt Hümmeler

Volksbank Bigge-Lenne eG / IBAN: DE07 4606 2817 0016 6668 00 / BIC: GENODEM15MA
Sparkasse Mitten im Sauerland / IBAN: DE20 4645 1012 0026 0776 51 / BIC: WELADED1MES
Volksbank im Hochsauerland eG / IBAN: DE68 4006 9266 0076 6153 00 / BIC: GENODEM1MAS
Commerzbank Dortmund / IBAN: DE38 4408 0050 0774 0402 00 / BIC: DRESDEFF440

Machine data:

- Nominal pressure 250 bar, Operating pressure 200 bar
- Operating voltage 400 Volt - 50 Cyl. - 3 Ph. - 4,0 kW
- Length 4450 mm
- Width 900 mm
- Height 1580 mm
- Weight approx. 1250 kg

Control:

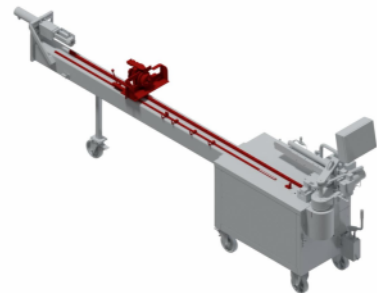
- Possibility to select 8 bend angles
- Angle input via digital input unit
- Angle selection 0,1°
- With call up nominal/actual angle control
- Angle coverage via encoder
- Digital display for the bending angle
- Calling of the angle selection via switch

VWE 2076-30

Piece(s)

Off set bend device

- For 360° rotation by scale, with 4 adjustable stops
- With chuck clamp for all sizes up to 76,1 mm
- Inclusive length stop device with scale and 4 adjustable stops
- Usable length 3048 mm



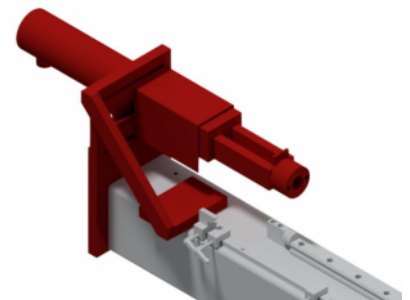
For box and rectangular tube it is not possible to use the off set bend device.
 Technical changes are reserved.

DR 001

Piece(s)

Controlled mandrel withdrawal

- For all mandrel type bending machines
- Improves the optical quality of bend
- Variable adjustment from 0-20°
- Automatic return

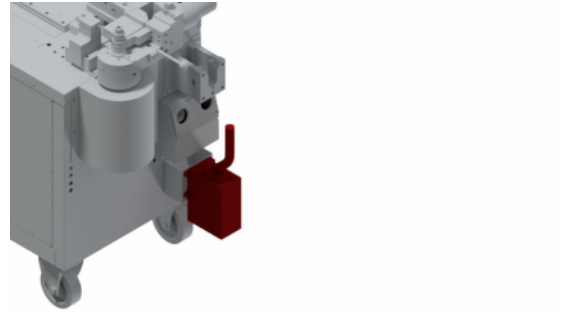


DSA-H

Piece(s)

Mandrel lubrication

Lubrication via hand pump which is fixed in the bending area



FA 76

Piece(s)

Carriage for wiper die

- one for all tube diameters up to 76 mm

Please note: for tube- \varnothing 22 mm and smaller for bending radii $1,5xD$ and smaller bending of 180° is not possible with this carriage

